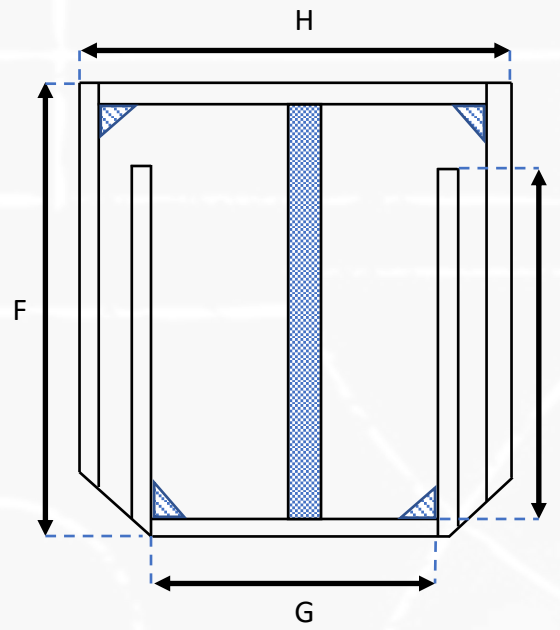
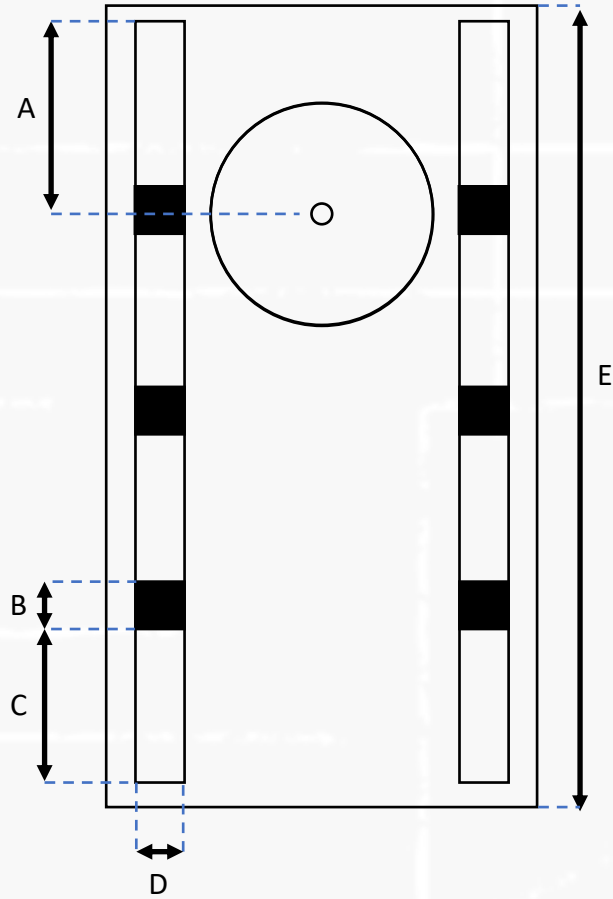


Kit JENSEN
400 GMF



| Distance / HP | 285 GMF | 400 - 2000 |
|---------------|---------|------------|
| A | 235 | 300 |
| B | 58 | 58 |
| C | 181.5 | 181.5 |
| D | 38 | 50 |
| E | 950 | 950 |
| F | 555 | 600 |
| G | 320 | 420 |
| H | 496 | 620 |
| I | 409 | 450 |